

BLAZE GREEN COMBI

Combined boiler for wood and pellets



7 years warranty
on the boiler body



Automatic control unit
ecoMAX



Online management via
ecoNET

The BLAZE GREEN boiler, enhanced with a rotary pellet burner, retains all its original advantages while also providing the capability to burn wood pellets. With an automatic switch to

pellet combustion, the boiler ensures seamless and uninterrupted operation.

Benefits of BLAZE GREEN COMBI

- All the advantages of the BLAZE GREEN boiler
- Rotary burner, maintenance-free operation
- Automatic switch to pellet combustion
- Choice of pellet hopper type and and feeder length

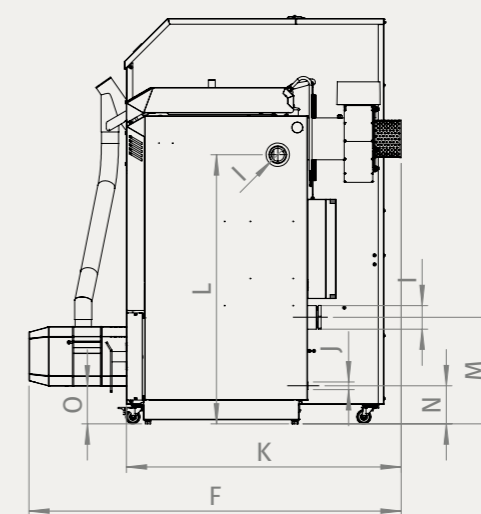
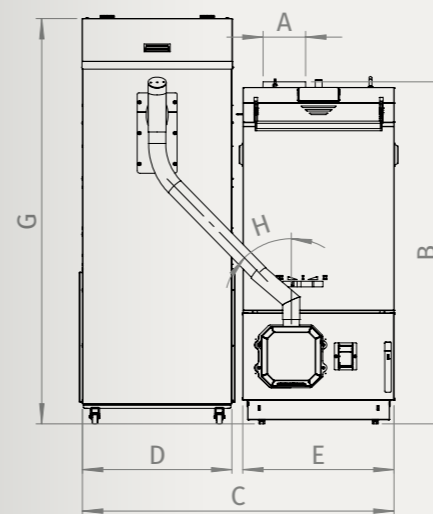
More info about the boiler



Technical parameters

	BGC 18	BGC 26	BGC 33
Nominal output wood (kW)	18	26	33
Adjustable output wood (kW)	9-18	13-26	16-33
Adjustable output pellet (kW)	5-20	5-25	5-25
Wood/pellets efficiency (%)	92/94	92/94	93/94
Emission class	5		
Ecodesign	YES		
Energy class	A+		
Log length (cm)	33	50	50
Pellet diameter (mm)	6-8		
Stocking chamber volume (l)	80	120	120
Boiler weight (kg)	360	470	470
Maximum operating pressure (bar)	3		
Water compartment volume (l)	40	55	55
Hopper volume (l)	optional		

Dimensions



	BGC 18 (mm)	BGC 26 (mm)	BGC 33 (mm)
A	Ø147	Ø147	Ø147
B	1193	1193	1193
C	1104	1288	1288
D	544	544	544
E	530	714	714
F	1294	1294	1294
G	1417	1417	1417
H	45°	45°	45°
I	G 6/4"	G 6/4"	G 6/4"
J	G 1/2"	G 1/2"	G 1/2"
K	956	956	956
L	937	937	937
M	367	367	367
N	127	127	127
O	127	127	127

Emission parameters

Fuel: wood		BGC 18	BGC 26	BGC 33
CO (13 % O ₂)	[mg/m ³]	21	18	25
OgC/THC (13 % O ₂)	[mg/m ³]	<1	<1	4
NO _x (13 % O ₂)	[mg/m ³]	114	108	126
Dust (13 % O ₂)	[mg/m ³]	12	14	12

Fuel: pellets		BGC 18	BGC 26	BGC 33
CO (13 % O ₂)	[mg/m ³]	46	46	46
OgC/THC (13 % O ₂)	[mg/m ³]	1	1	1
NO _x (13 % O ₂)	[mg/m ³]	113	114	114
Dust (13 % O ₂)	[mg/m ³]	10	12	12